

MODULAR BLIND ASSEMBLY MANUAL

Safety is the most important aspect of enjoying this new modular hunting blind. Please read and comply with the steps laid out within these instructions. Failure to follow instructions may result in injury or death.

The safe use of this product is the responsibility of the user. It is also the owner's responsibility to provide these instructions to future owners should the product be borrowed or sold. Failure to follow these instructions may deem you personally liable in the court of law.

Initially and periodically inspect the product for wear, corrosion, cracks, or deterioration that may compromise the safe operation and use of the product. Immediately discontinue use if any defect is noticed and contact Orion Hunting Products at (906) 767-0270. Failure to follow instruction may result in injury or death.

Do not modify, leave out, or misuse any or all parts of this product. If there is reason to believe parts to be missing or defective, please contact Orion Hunting Products for replacement. Use only genuine Orion Hunting Products provided parts. Attempting to use anything besides provided parts supplied by the manufacturer will void the warrant. This product is not to be used outside the scope of its intended design. Failure to follow instructions may result in injury or death.

When placing this blind on an elevated tower stand avoid underground utilities when anchoring. Always contact the local one-call system to prevent injury or death due to shock and electrocution., interruption of services, environmental accident, or job delays. Gasoline rupture may cause an explosion or fire. Contact with fiber-optic cable may cause blindness due to exposure to laser light. The National One-Call line is 888-258-0808.

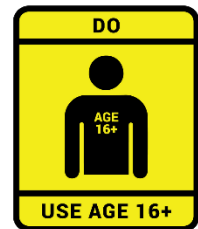
Any questions, comments, or concerns, please contact Orion Hunting Products at (906) 767-0270.

SAFETY WARNINGS

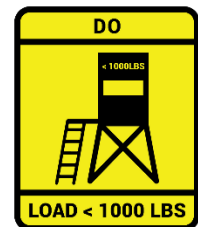
**Read
Manual**



**Injury/Death
Hazards**



**Product Failure
Hazard**



Wind Hazard



**Underground
Hazard**



SAFETY WARNINGS

Lightning Hazard



Falls Hazards



Trip Hazard





THANK YOU

Thank you for purchasing a new Orion Hunting Products Modular Hunting Blind.

We take great pride in every aspect of its design. We design and manufacture all Orion modular blinds in Michigan's Upper Peninsula.

It is our overwhelming desire to ensure that you are satisfied with this product. If it does not meet your expectations for any reason, please give us a call or text at (906) 767-0270.

We hope that you take pride in owning it - may it truly Elevate Your Pursuit.

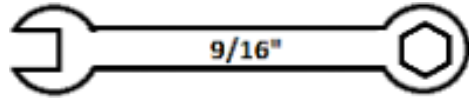
Be safe and Hunt Orion!



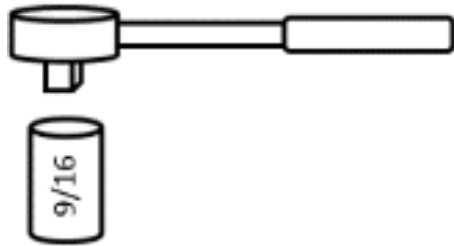
TOOLS REQUIRED

(If Attaching to an Orion Elevated Stand)

9/16" Open End/Box End Combination Wrench



9/16" Socket with Ratchet



Large Hammer
(recommended)



Level
(recommended)

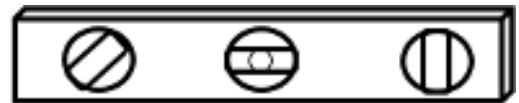


Table of Contents

Orion 55, 5 x 5 5-Sided Modular Blind Assemblyp.7

Orion 68, 6 x 6 8-Sided Modular Blind Assemblyp.17

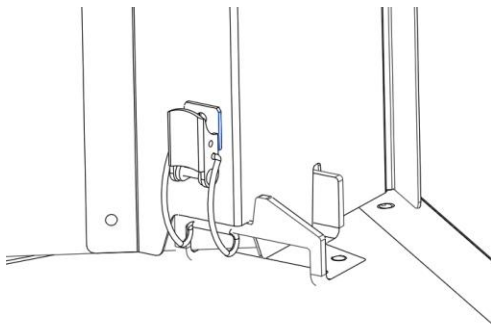
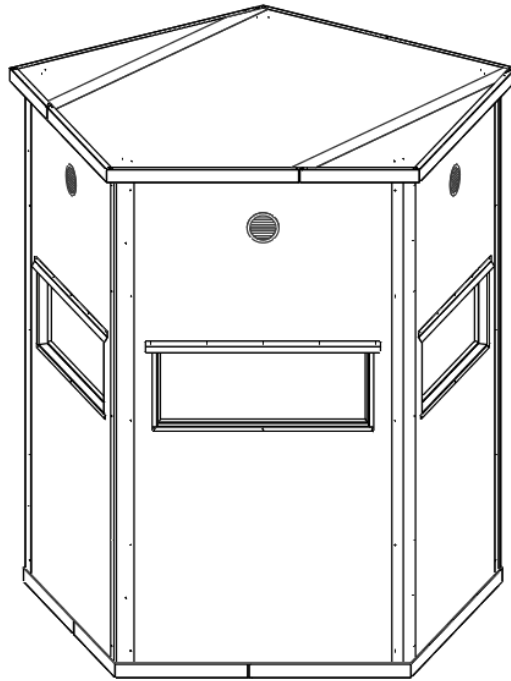
ORION 55

5 x 5 5-SIDED

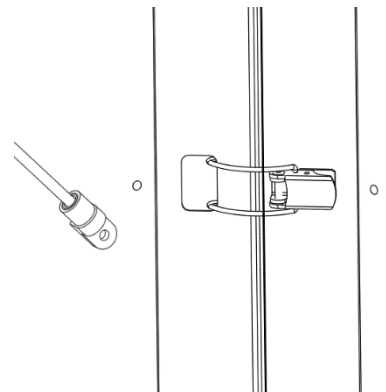
MODULAR BLIND

OVERVIEW

Please read through the entire instructions before beginning assembly.



Wall-To-Roof/Floor Latch



Wall-To-Wall Latch

CONTENTS

TOP OF STACK

⬡ Layer 7 – Floor Panel



⬡ Layer 6 - Big Panel



⬡ Layer 5 - Big Panel



⬡ Layer 4 - Big Panel



⬡ Layer 3 – Big Panel



⬡ Layer 2 – Door Panel



⬡ Layer 1 – Roof Panel



PALLET

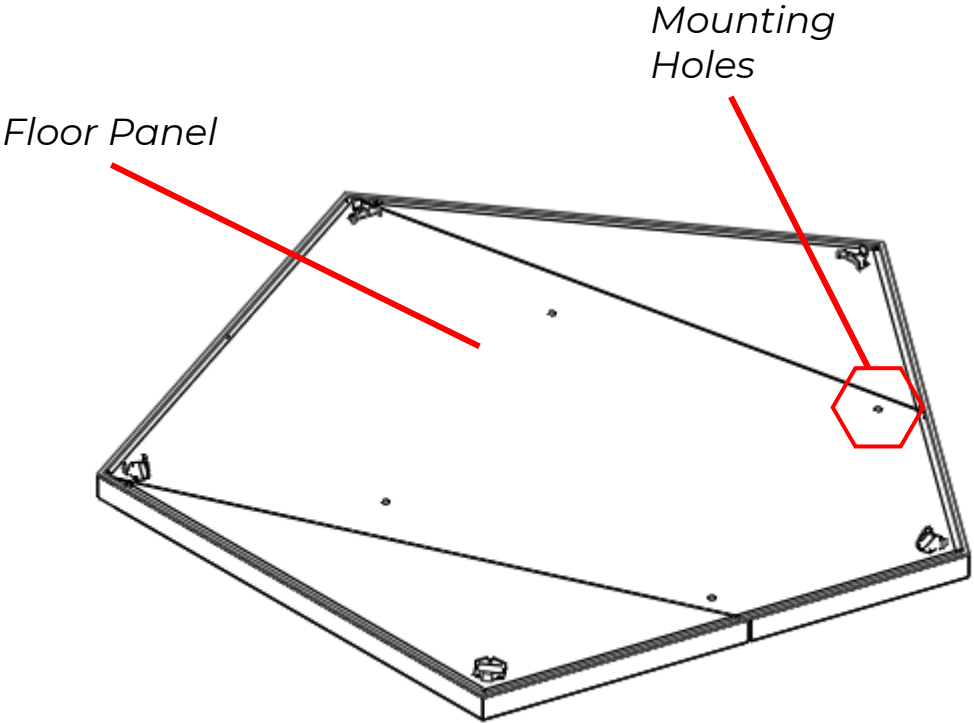


⬡ (1x) Blind Hardware Kit



55 MODULAR BLIND ASSEMBLY

1

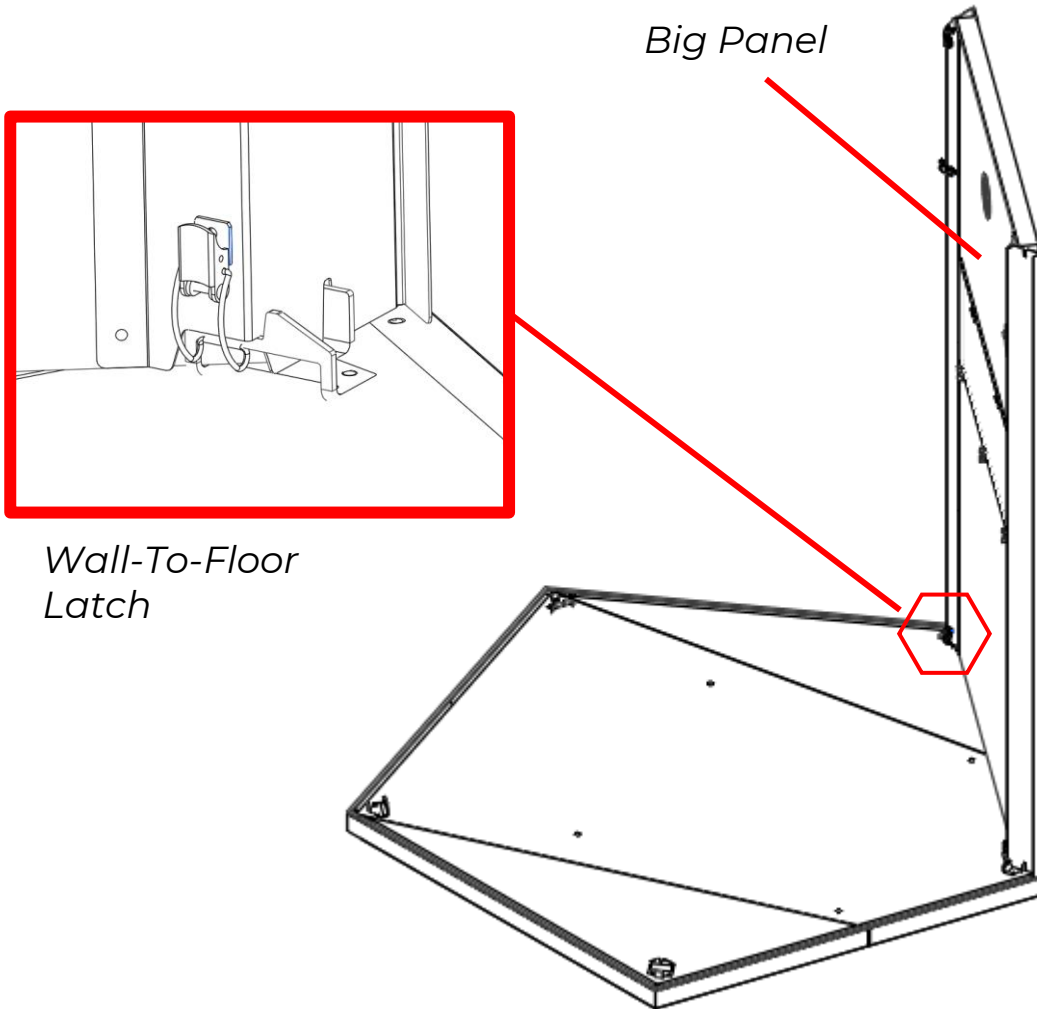


Parts:
1x Floor Panel with 4 Mounting Holes

Process:
Unfold Floor Panel

55 MODULAR BLIND ASSEMBLY

2



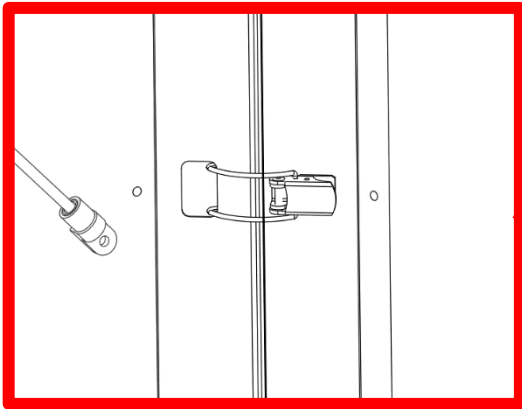
Wall-To-Floor
Latch

Parts:
1x Big Panel with Horizontal Window

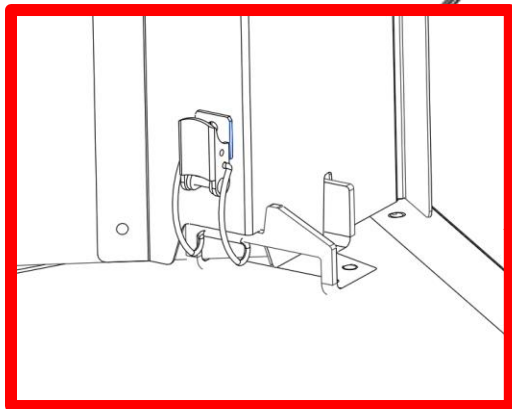
Process:
Slide Upright Over the Catch on the
Floor. Latch Panel on Long Edge of
the Floor. First Panel May Need to
be Stabilized to Stand.

55 MODULAR BLIND ASSEMBLY

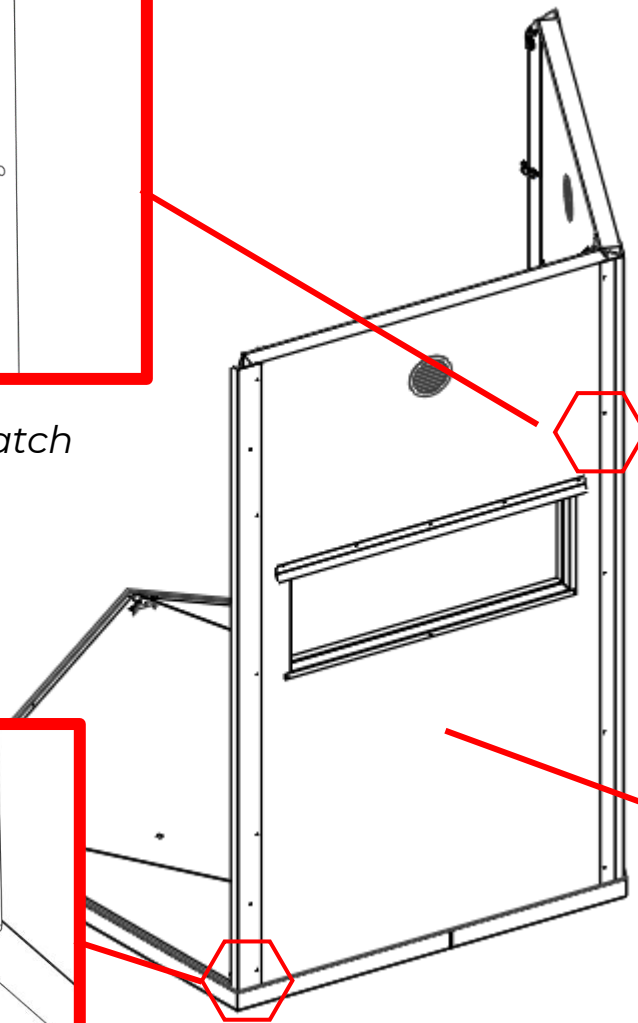
3



Wall-To-Wall Latch



Wall-To-Floor Latch



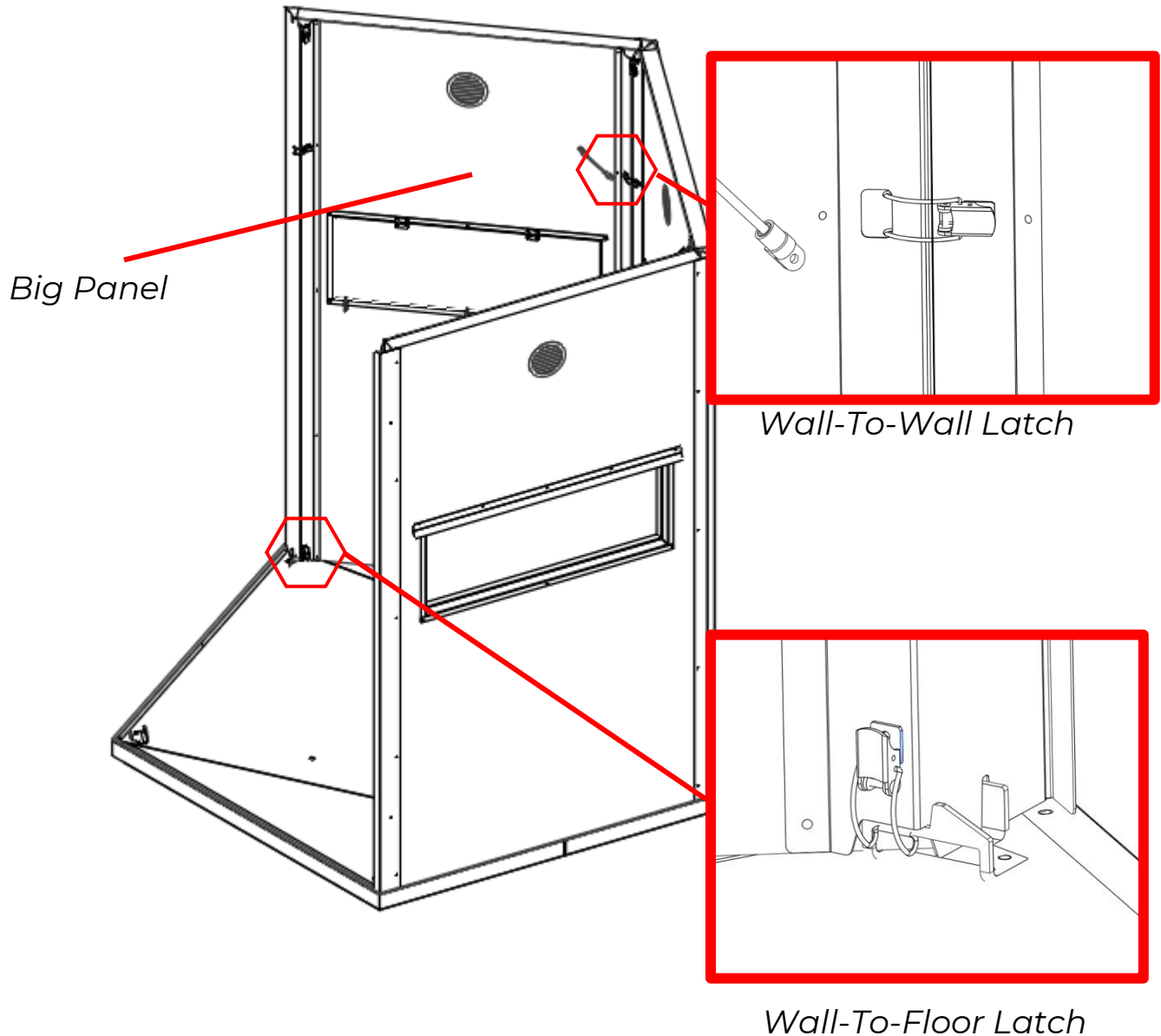
Big Panel

Parts:
Big Panel with Horizontal Window

Process:
Slide Uprights Over Catch on the Floor and Latch to Floor. Latch to Adjacent Big Panel.

55 MODULAR BLIND ASSEMBLY

4

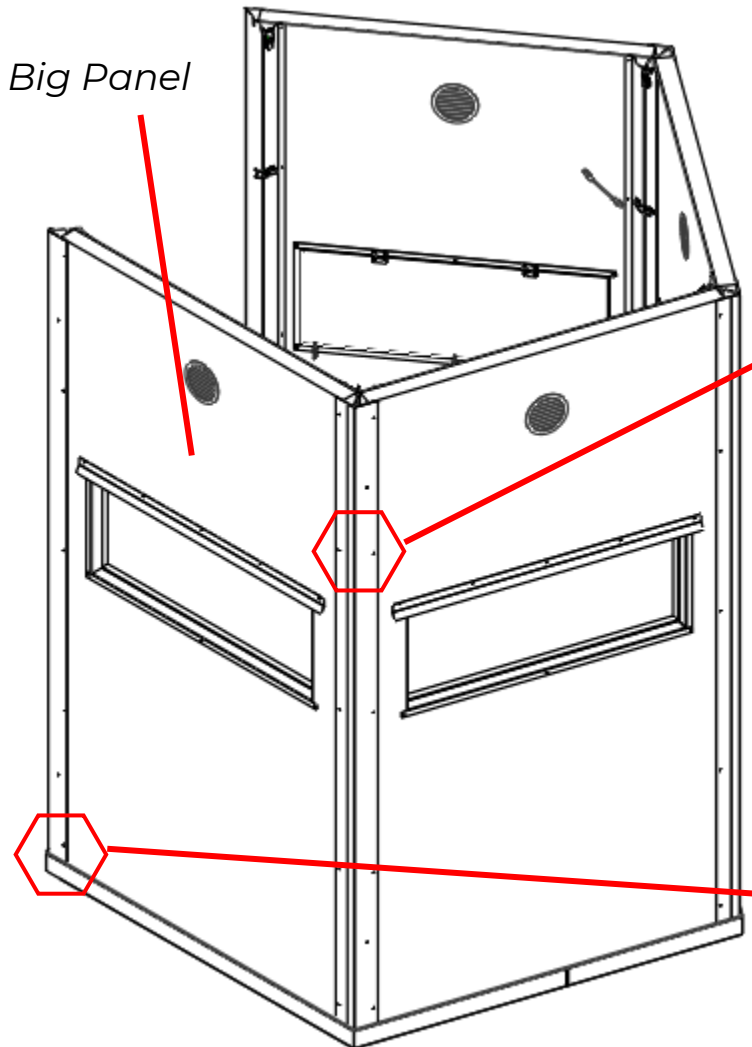


Parts:
Big Panel with Horizontal Window

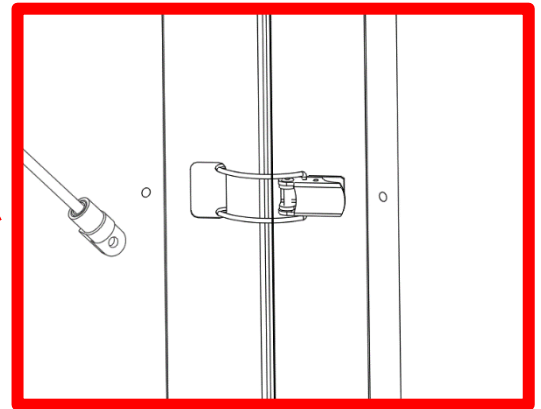
Process:
Slide Uprights Over Catch on the Floor and Latch to Floor. Latch to Adjacent Big Panel.

55 MODULAR BLIND ASSEMBLY

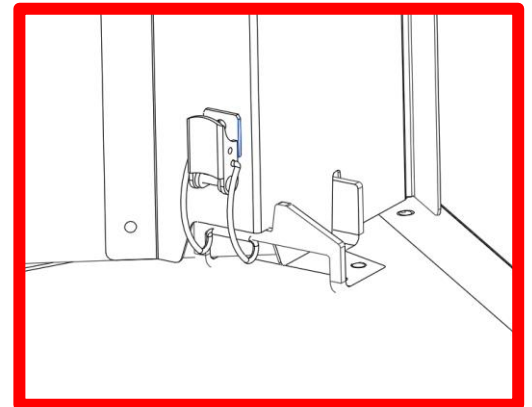
5



Big Panel



Wall-To-Wall Latch



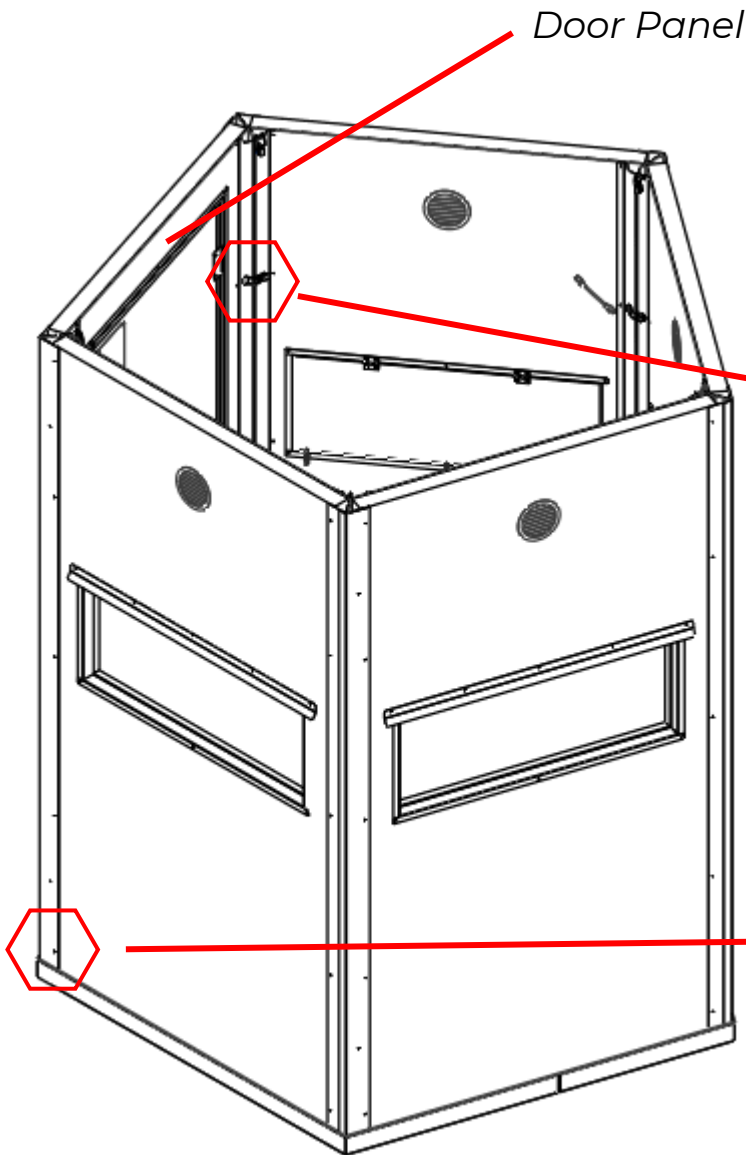
Wall-To-Floor Latch

Parts:
Big Panel with Horizontal Window

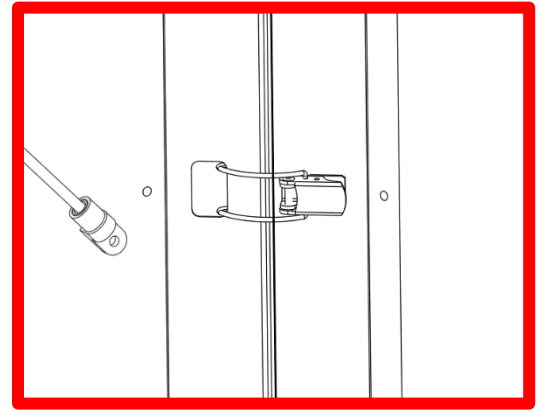
Process:
Slide Uprights Over Catch on the Floor and Latch to Floor. Latch to Adjacent Small Panel.

55 MODULAR BLIND ASSEMBLY

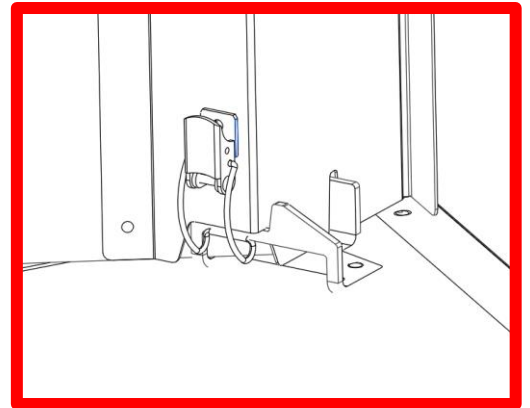
6



Door Panel



Wall-To-Wall Latch



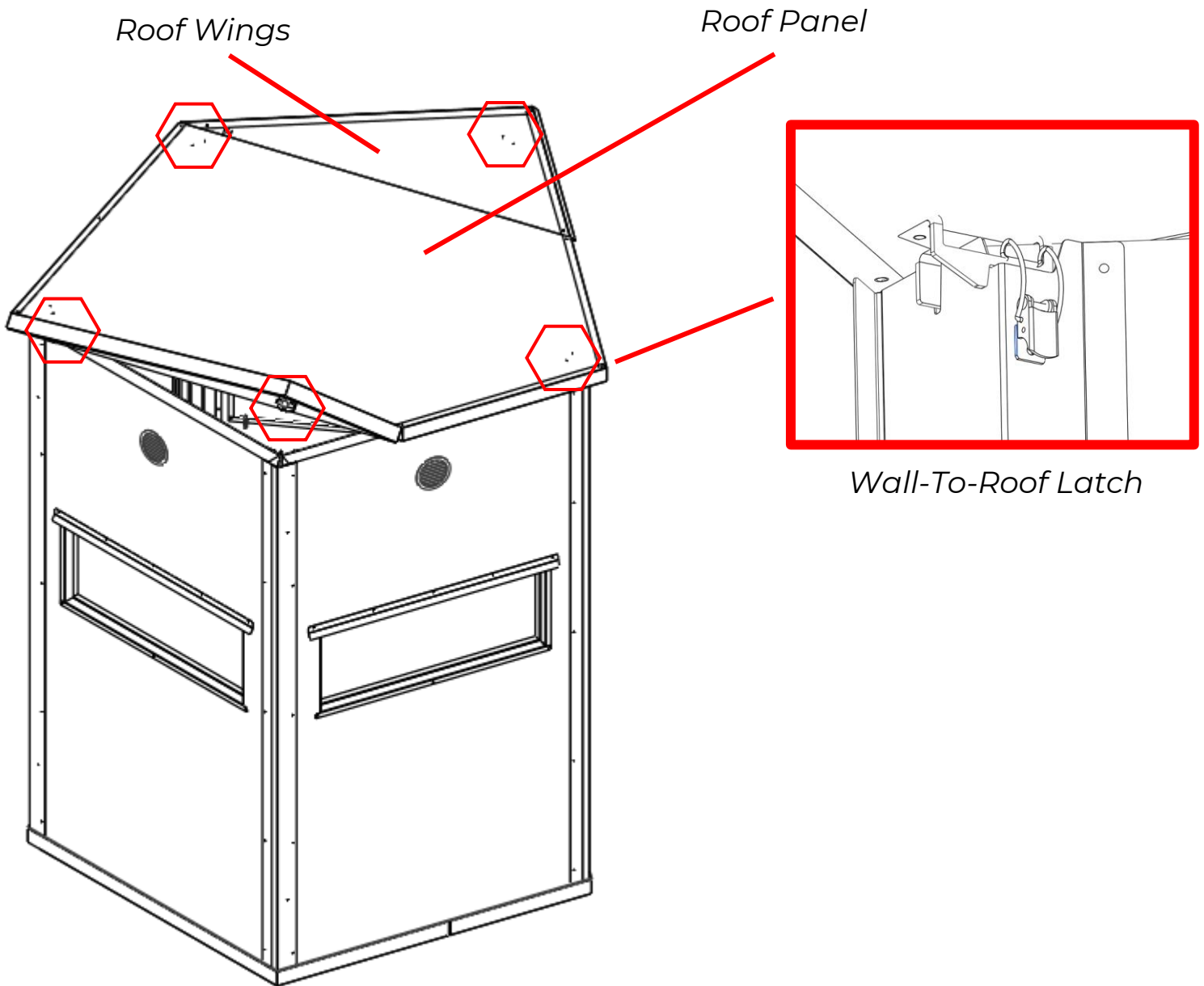
Wall-To-Floor Latch

Parts:
Door Panel

Process:
Slide Uprights Over Catch on the Floor and Latch to Floor. Latch to Adjacent Big Panel.

55 MODULAR BLIND ASSEMBLY

7

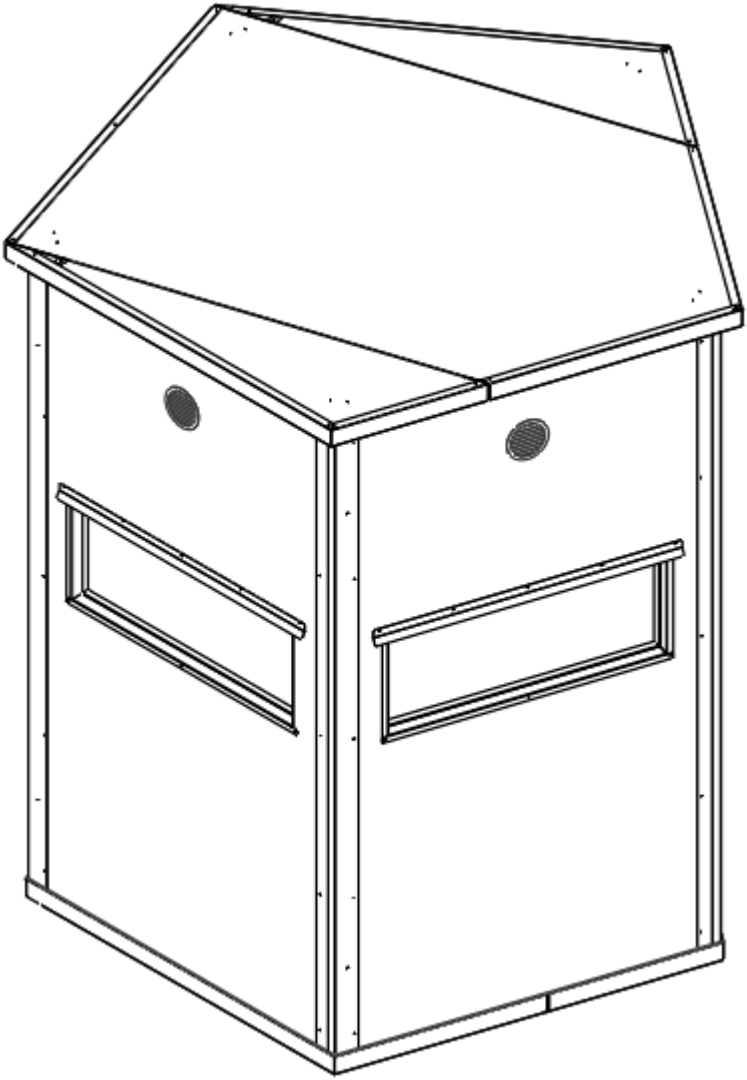


Parts:
Roof Panel

Process:
Unfold Roof Panel over the blind walls and latch Wall-To Roof joints on the Roof Wings first. Latch the remaining Roof-to-wall latch joints [5 in total].

55 MODULAR BLIND ASSEMBLY

8



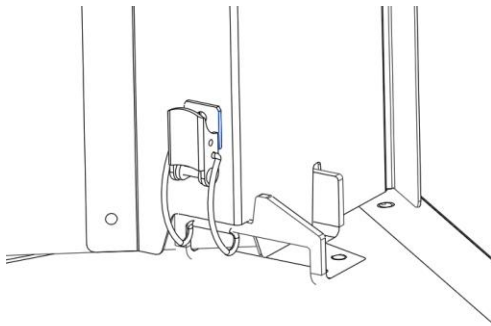
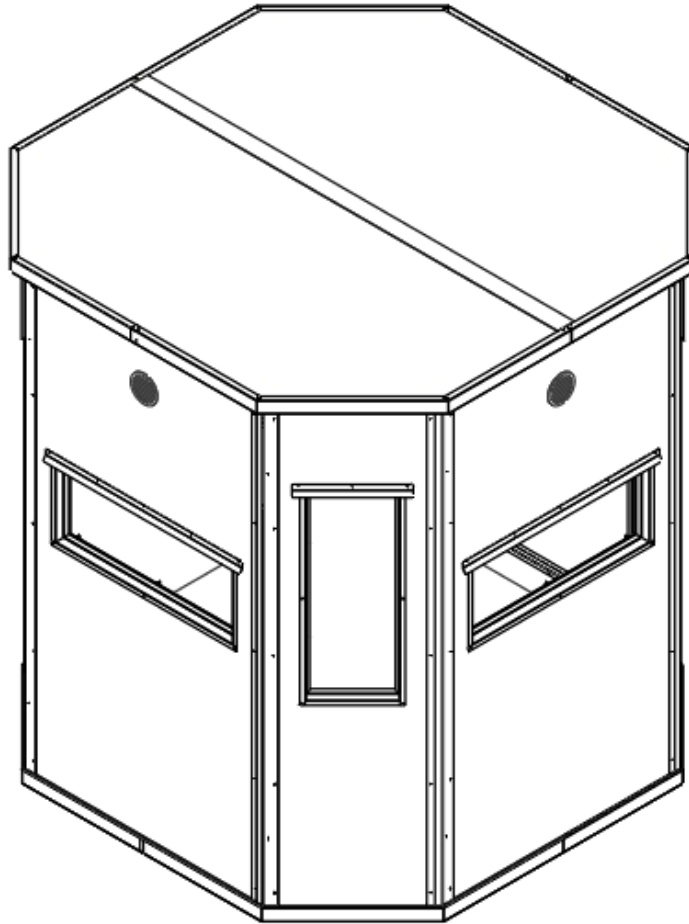
ORION 68

6 x 6 8-SIDED

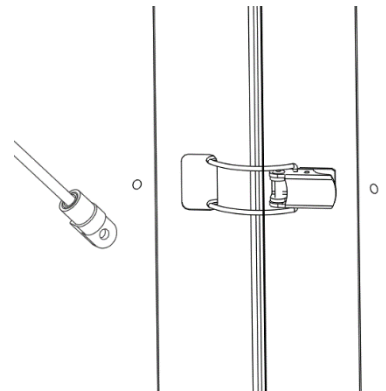
MODULAR BLIND

OVERVIEW

Please read through the entire instructions before beginning assembly.



Wall-To-Roof/Floor Latch



Wall-To-Wall Latch

CONTENTS



TOP OF STACK

⬡ Layer 8 – Floor Panel



⬡ Layer 7 - Big Panel



⬡ Layer 6 – (2) Small Panels



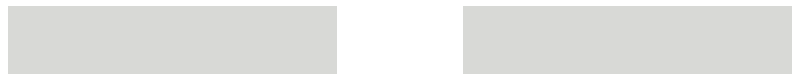
⬡ Layer 5 - Big Panel



⬡ Layer 4 - Big Panel



⬡ Layer 3 – (2) Small Panels



⬡ Layer 2 – Door Panel



⬡ Layer 1 – Roof Panel



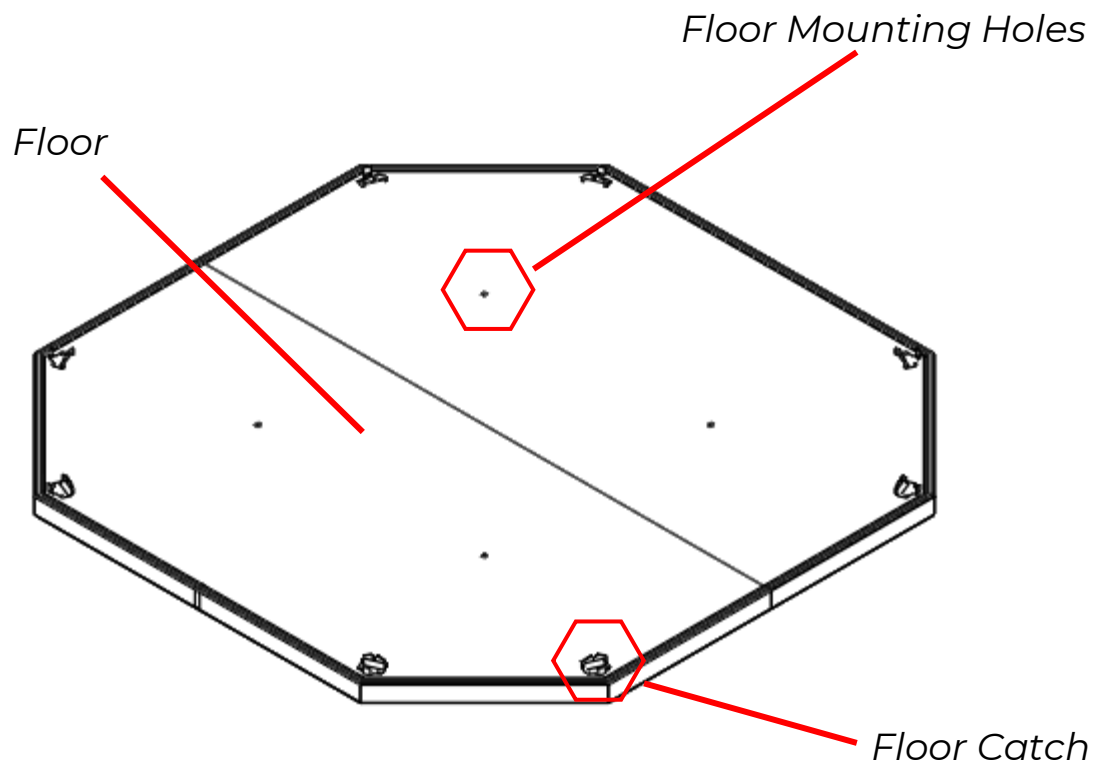
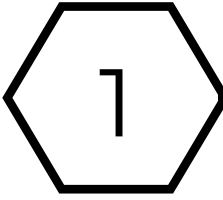
PALLET



⬡ (1x) Blind Hardware Kit



68 MODULAR BLIND ASSEMBLY

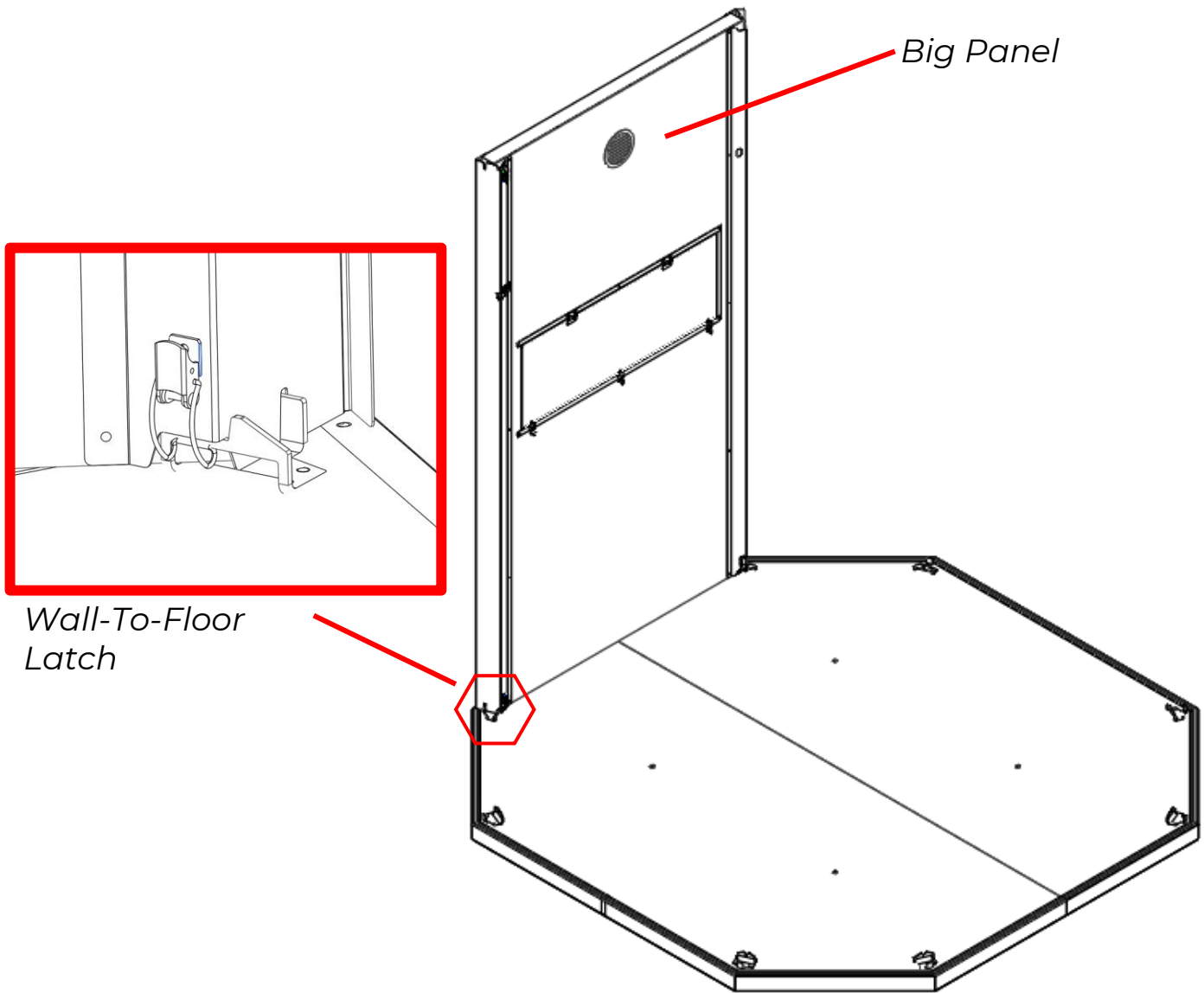


Parts:
1x Floor Panel with 4 Mounting Holes

Process:
Unfold Floor Panel

68 MODULAR BLIND ASSEMBLY

2



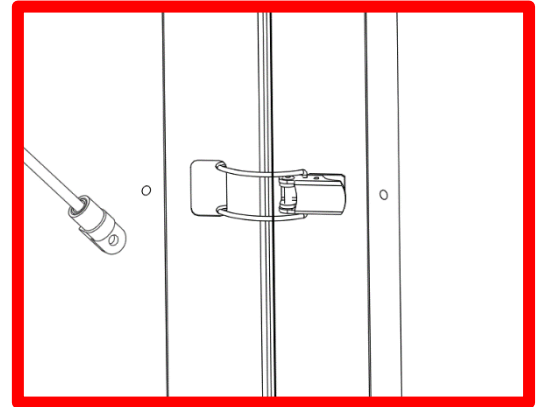
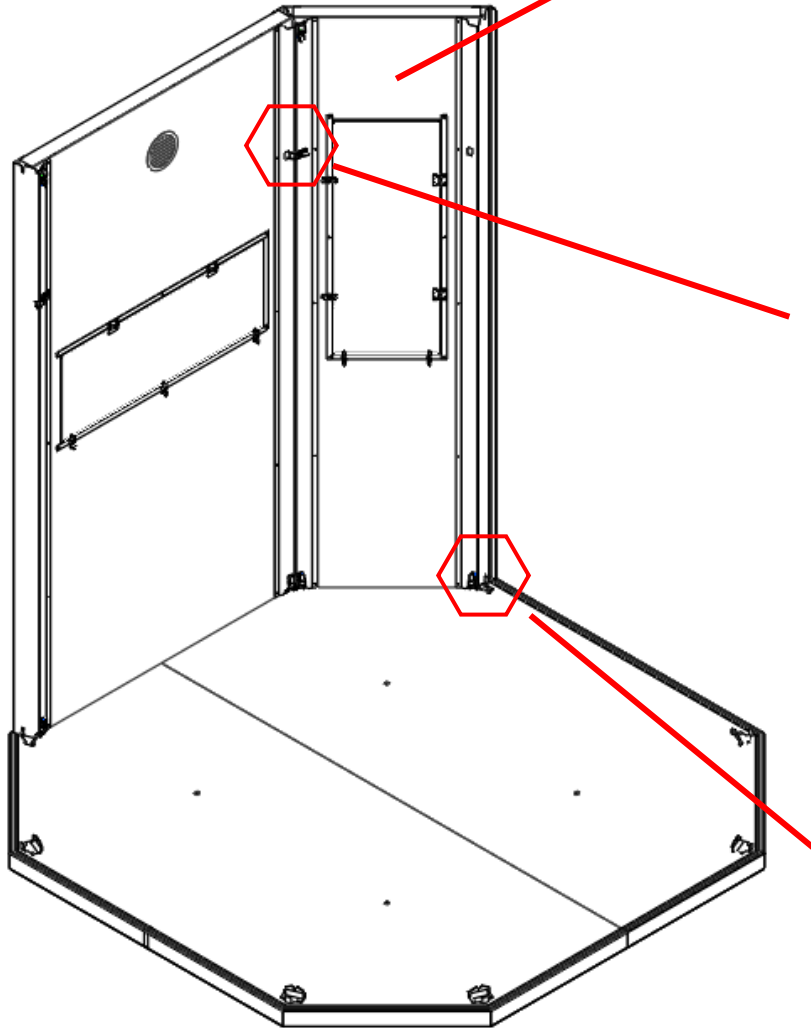
Parts:
1x Big Panel with Horizontal Window

Process:
Slide upright over the catch on the floor.
Latch panel on long edge of the floor.
First panel may need to be stabilized to stand.

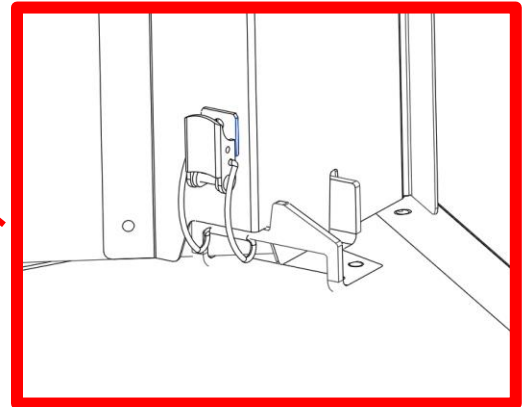
68 MODULAR BLIND ASSEMBLY

3

Small Panel



Wall-To-Wall Latch



Wall-To-Floor Latch

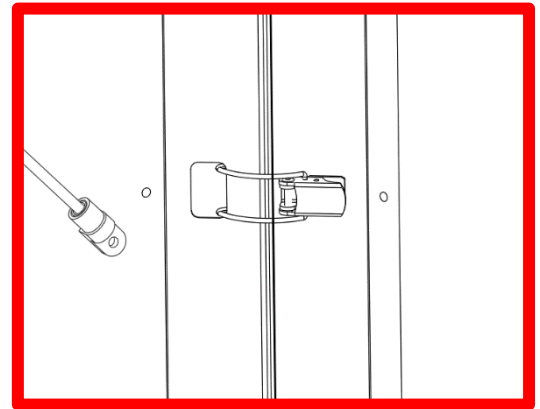
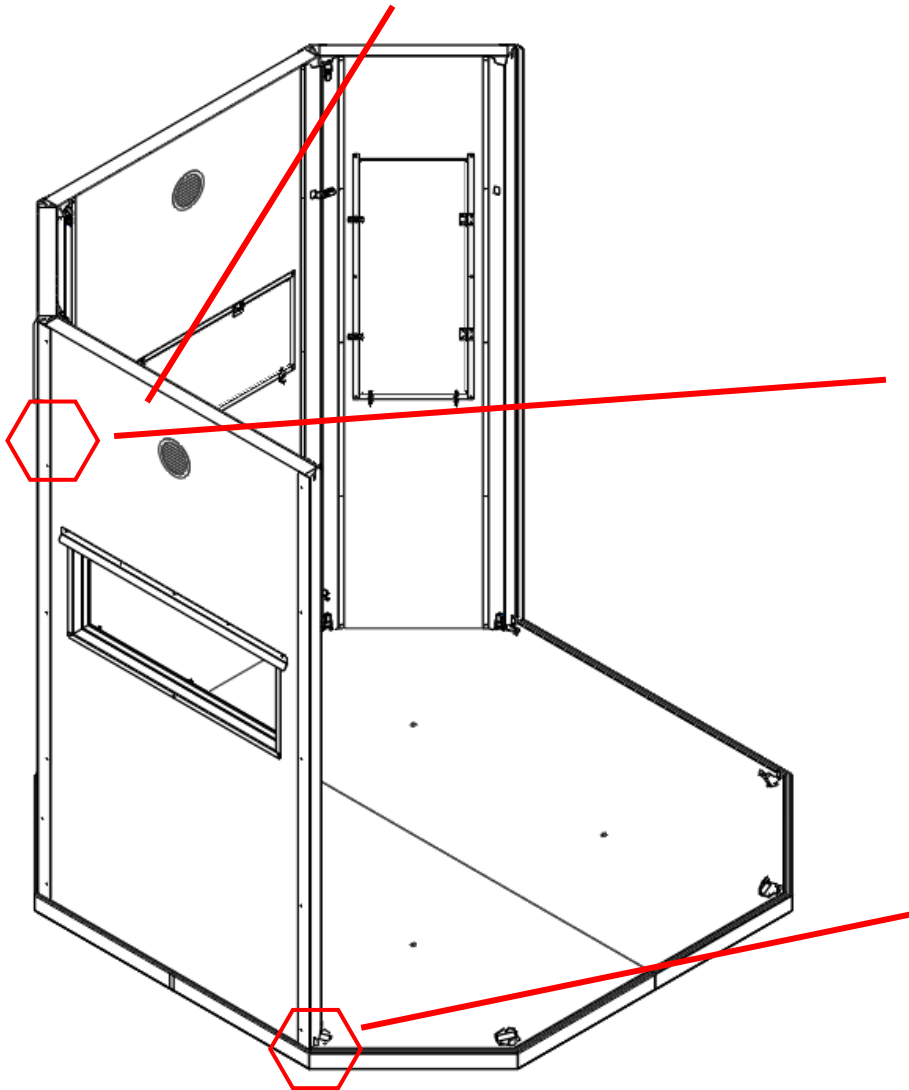
Parts:
1x Small Panel with Vertical Window

Process:
Slide Uprights over catch on the floor and latch the floor. Latch to adjacent big panel.

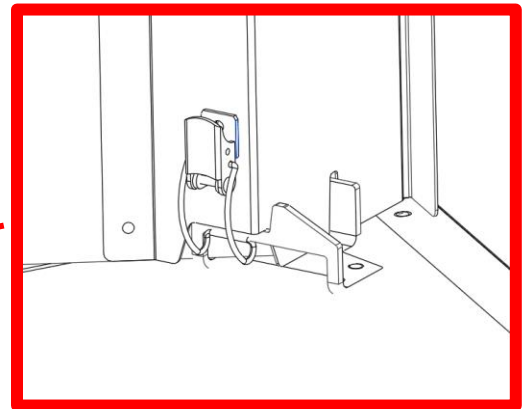
68 MODULAR BLIND ASSEMBLY

4

Big Panel



Wall-To-Wall Latch



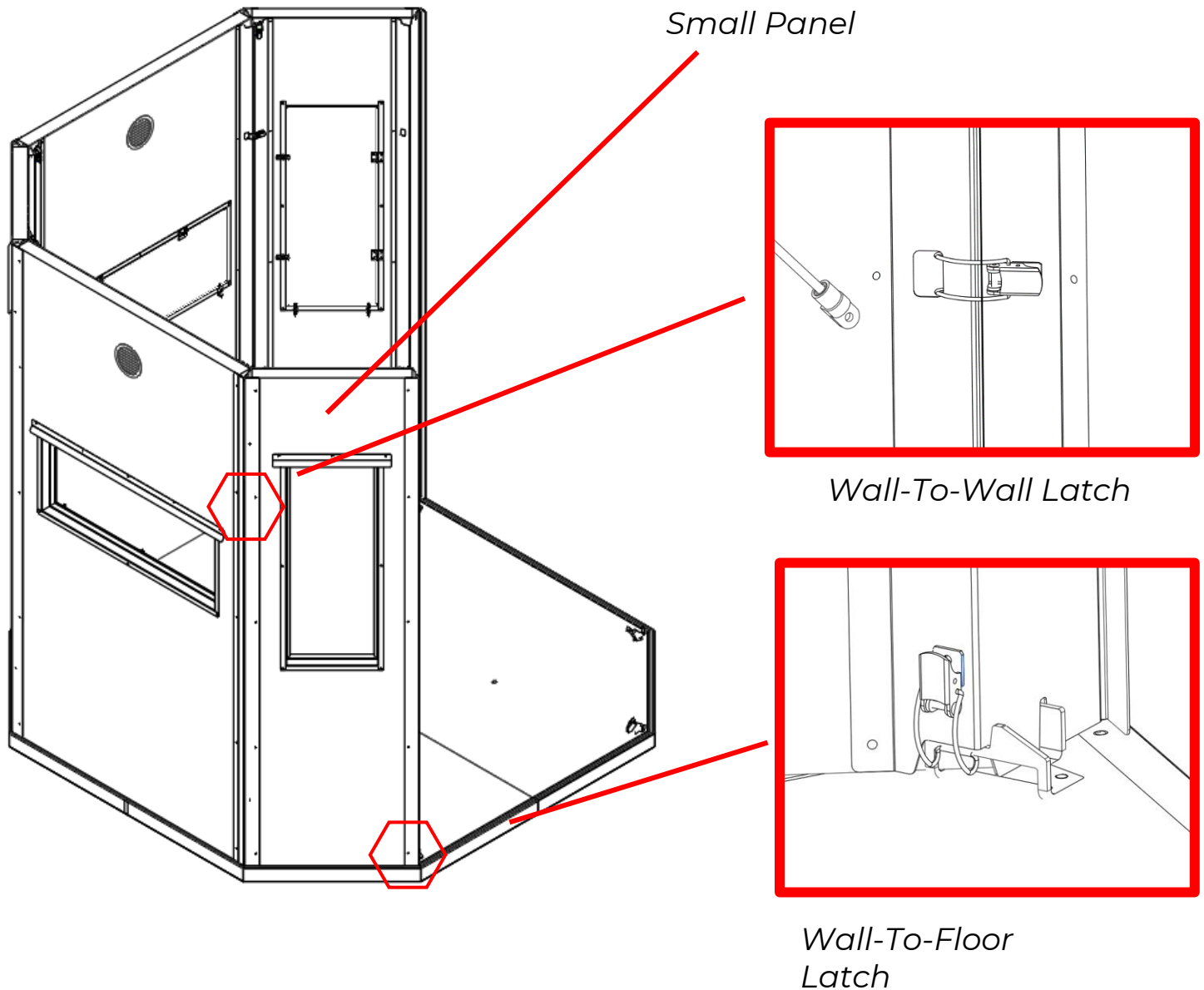
Wall-To-Floor Latch

Parts:
1x Big Panel with Horizontal Window

Process:
Slide Uprights over catch on the floor and latch the floor. Latch to adjacent small panel.

68 MODULAR BLIND ASSEMBLY

5

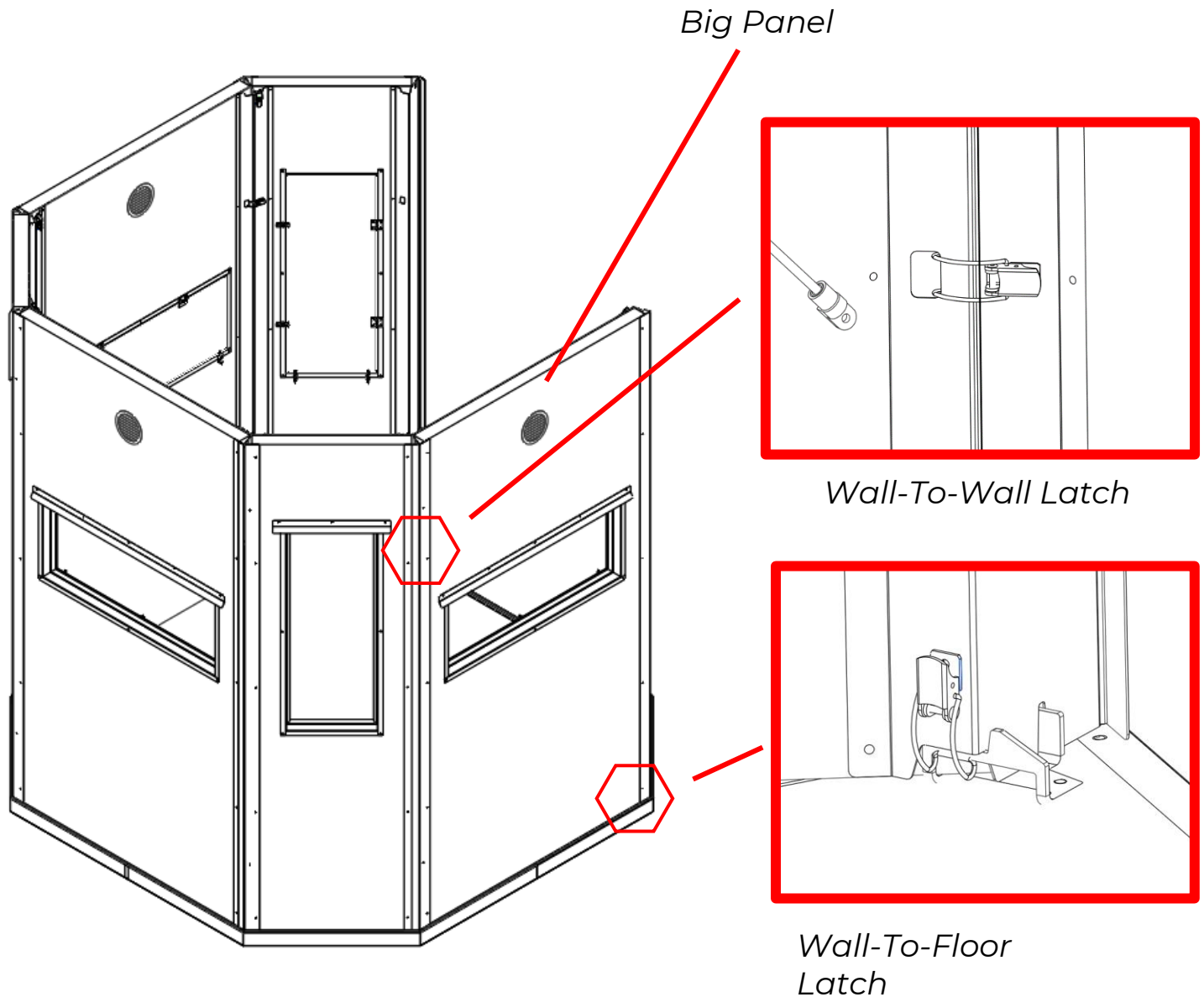


Parts:
1x Small Panel with Vertical Window

Process:
Slide Uprights over catch on the floor and latch the floor. Latch to adjacent big panel.

68 MODULAR BLIND ASSEMBLY

6

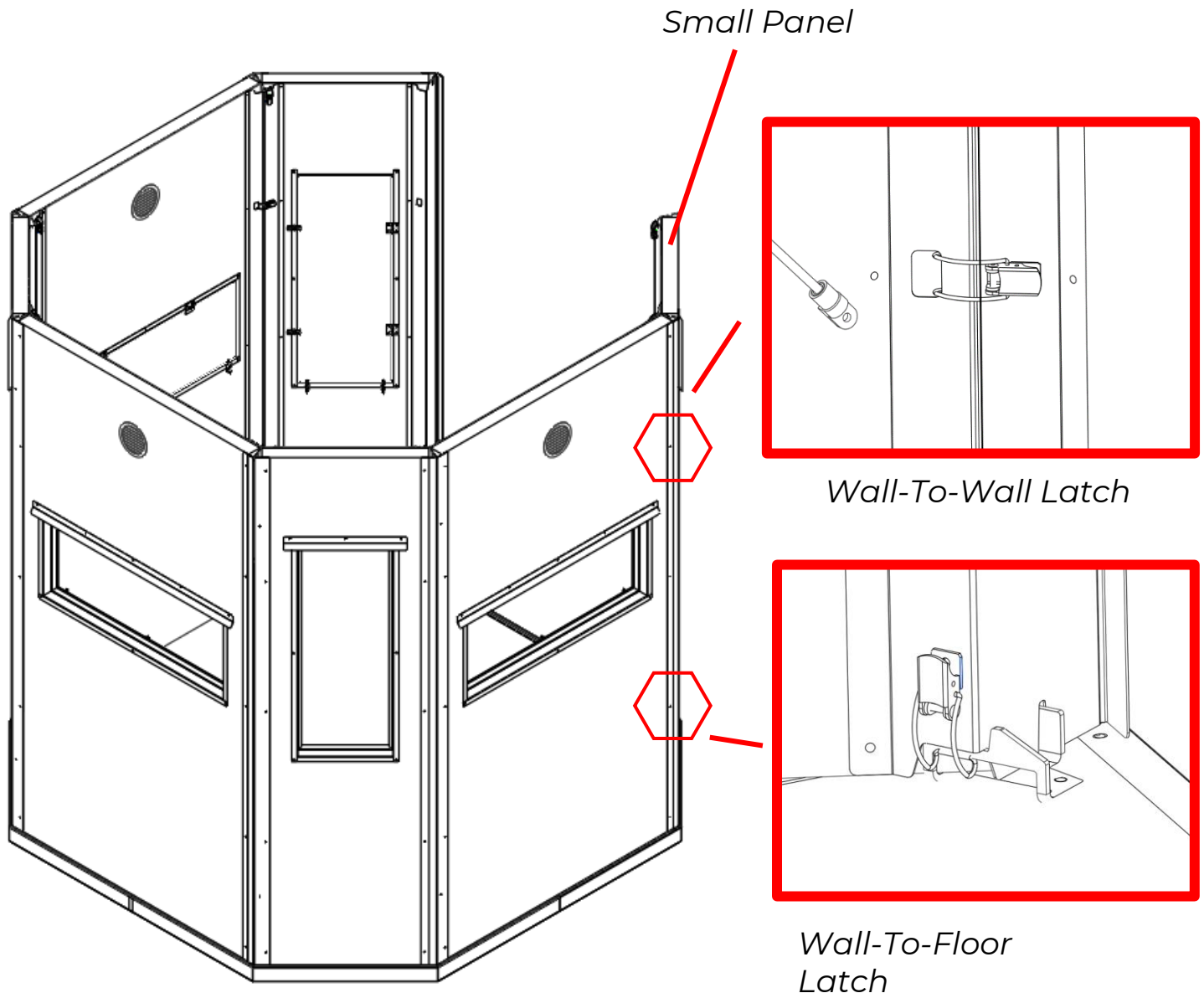


Parts:
1x Big Panel with Horizontal Window

Process:
Slide Uprights over catch on the floor and latch the floor. Latch to adjacent small panel.

68 MODULAR BLIND ASSEMBLY

7

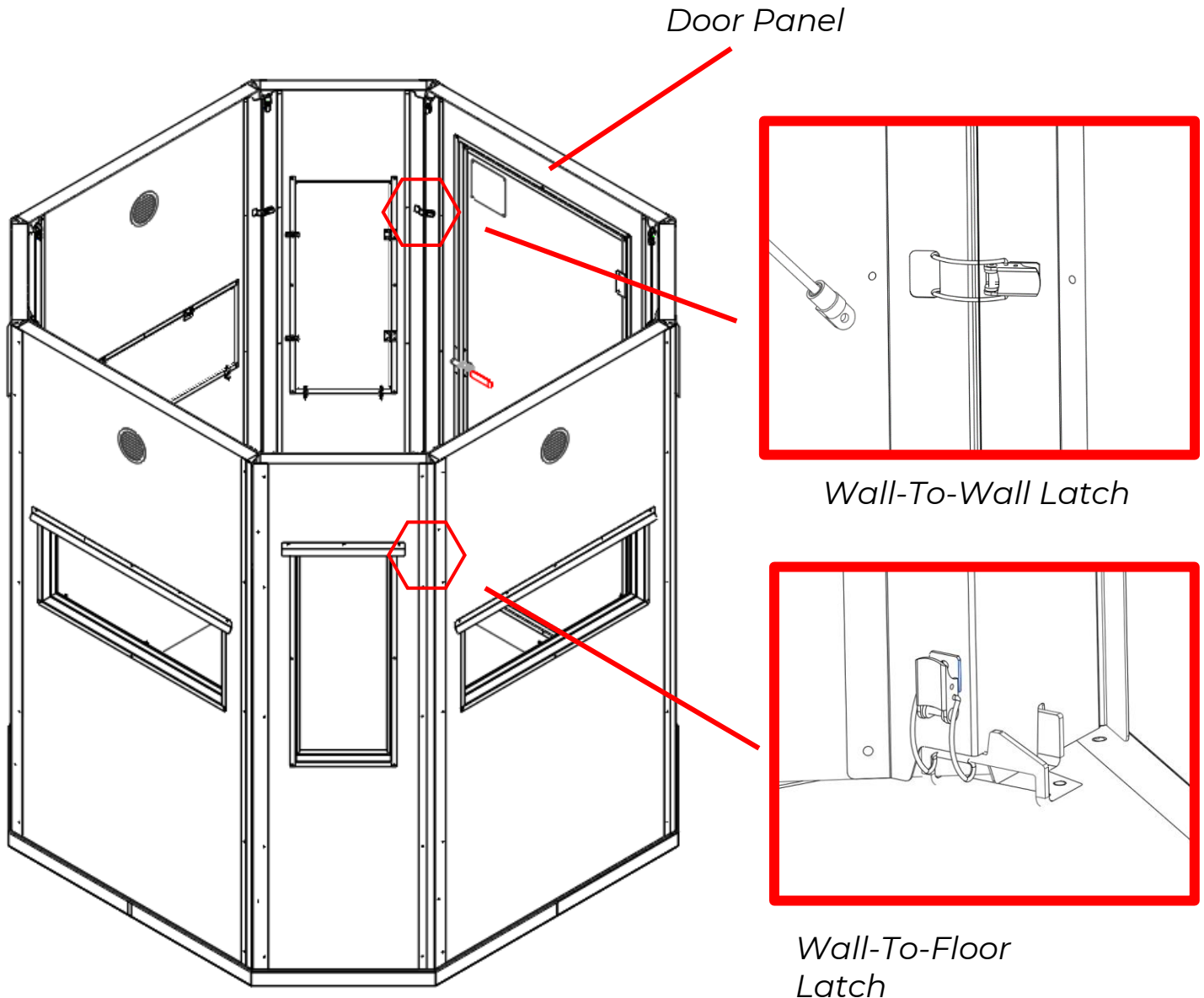


Parts:
1x Small Panel with Vertical Window

Process:
Slide Uprights over catch on the floor and latch the floor. Latch to adjacent big panel.

68 MODULAR BLIND ASSEMBLY

8

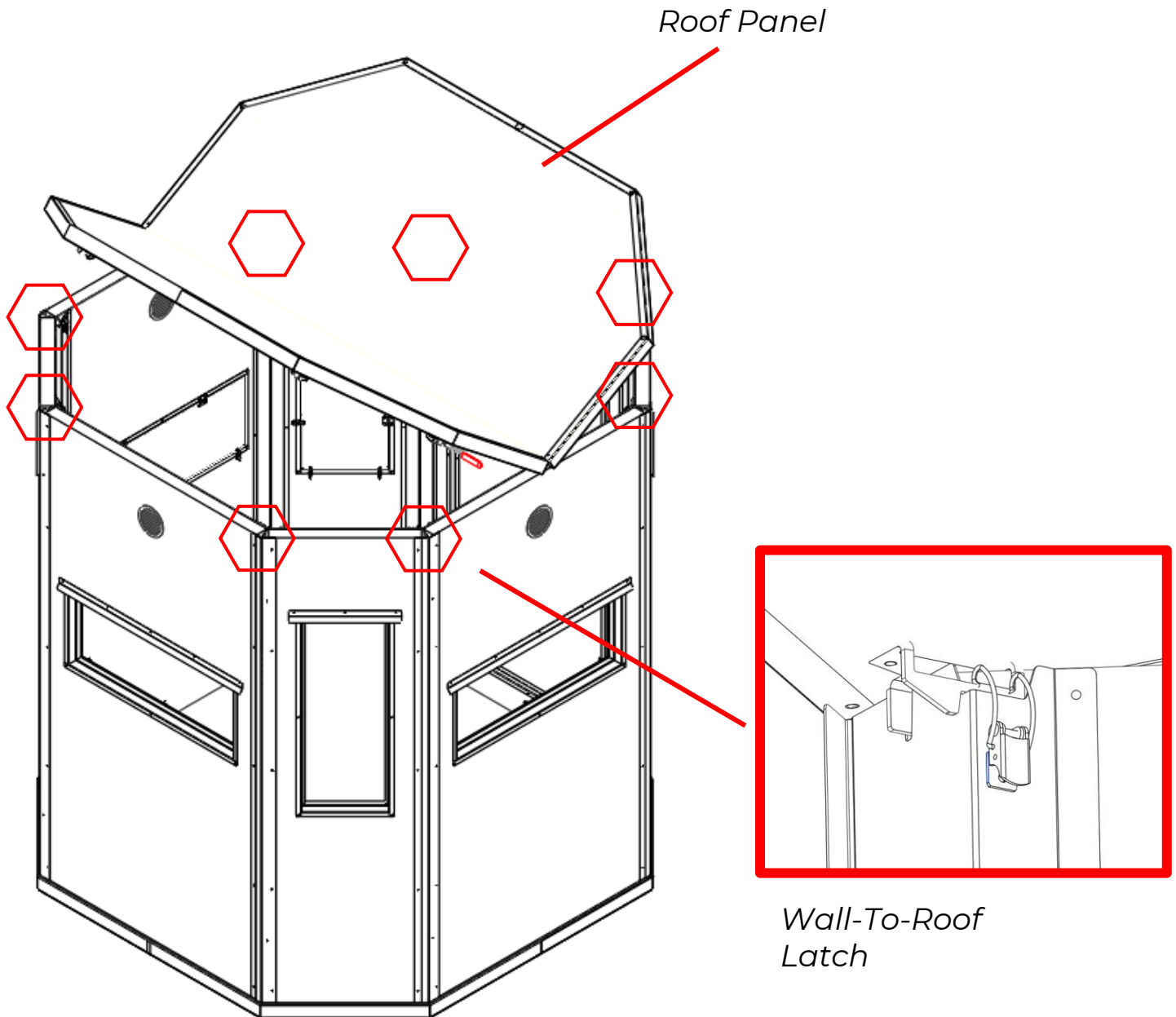


Parts:
1x Door Panel

Process:
Slide Uprights over catch on the floor and latch the floor. Latch to adjacent small panel.

68 MODULAR BLIND ASSEMBLY

9



Parts:
1x Roof Panel

Process:
Unfold roof onto walls and latch walls to roof in 8 places.

68 MODULAR BLIND ASSEMBLY

10

